

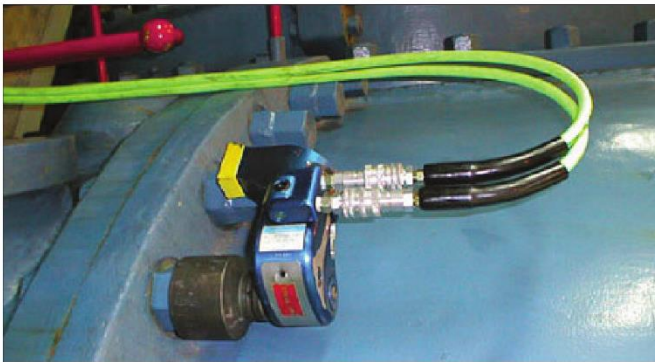
The World's Most Trusted Industrial Bolting Systems

MXT™ SERIES

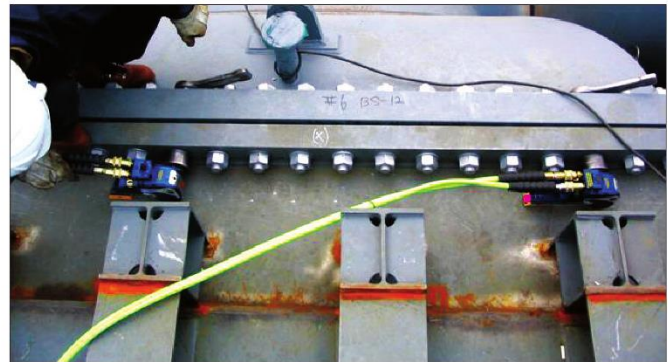
Hydraulic Square Drive Torque Wrench



- The most used hydraulic torque wrench in the World
- Continuously upgraded technology for unbeatable durability
- High strength metal square drive for performance & reliability
- Hundreds of add-on fixtures available for perfect fit on any job
- Compact, ergonomic design for torque output up to 37,000 ft-lbs
- 360 degree rotatable reaction arm for perfect fit on many jobs
- Uniswivel technology for free movement and positioning of tool and hoses



MXT-1 for vehicle construction



MXT-10 being used on a scrap press



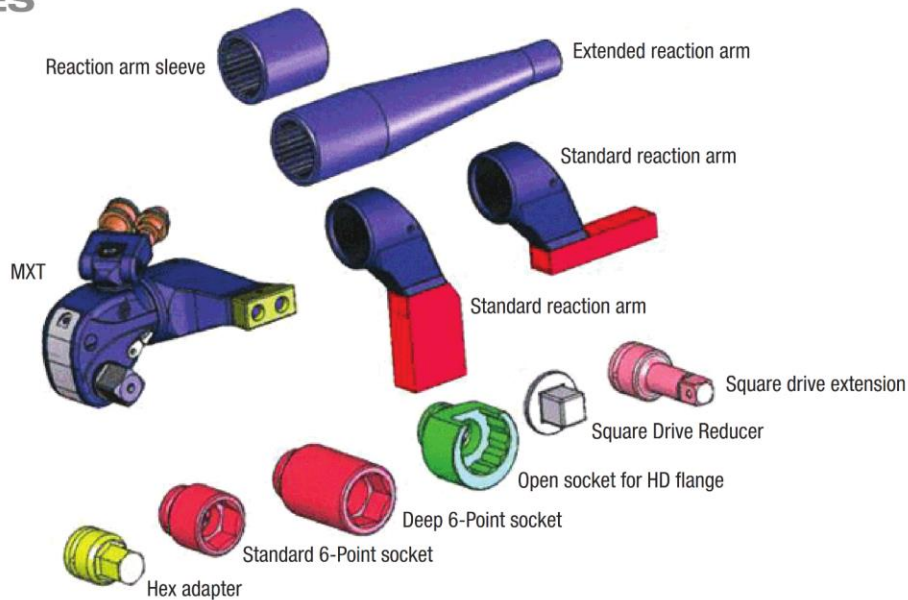
24 HOUR SERVICE

713-453-6677

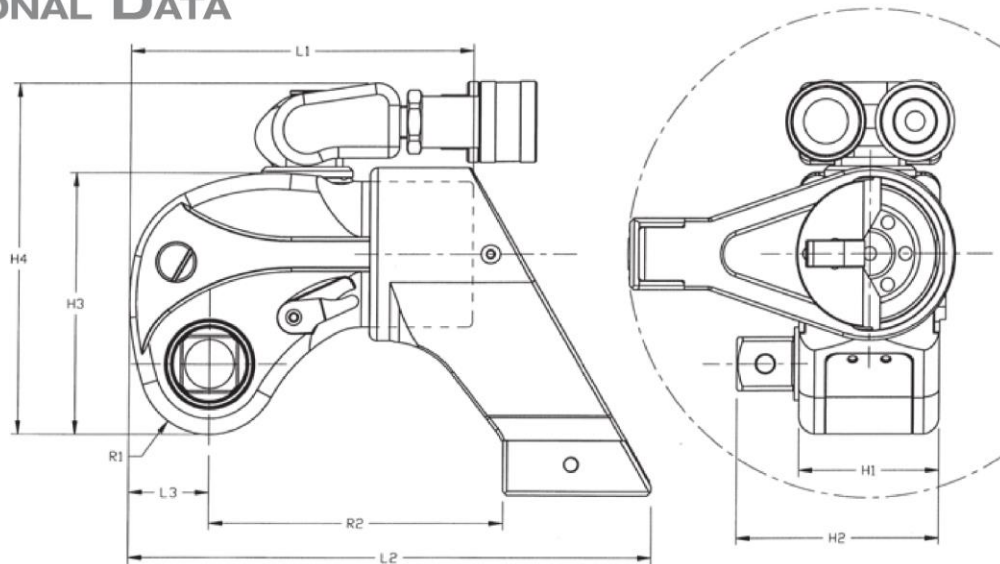
sales@hytorctexas.com

HYTORC

ACCESSORIES



DIMENSIONAL DATA



DRIVE	L1	L2	L3	H1	H2	H3	H4	R1	R2	Weight	Min Torque	Max Torque	
Inches/mm										Lbs./kN.	Ft. Lbs./Nm		
MXT-.7	3/4"	3.96/100.6	5.98/151.9	0.93/23.6	1.62/41.2	2.53/64.3	3.00/76.2	4.25/108.0	0.81/20.6	3.32/84.3	2.7/1.2	123/167	822/1,114
MXT-1	3/4"	4.88/123.9	7.33/186.2	1.13/28.7	1.97/50.0	2.85/72.4	3.66/93.0	4.9/124.5	0.98/25.0	4.12/104.7	3.95/1.8	201/273	1,340/1,817
MXT-3	1"	6.34/161.0	9.6/243.8	1.51/38.4	2.63/66.9	3.81/96.8	4.88/123.9	6.12/155.5	1.31/33.3	5.32/135.1	8.3/3.8	484/657	3,230/4,379
MXT-5	1-1/2"	7.61/193.3	11.52/292.6	1.81/46.0	3.16/80.3	4.92/125.0	5.85/148.6	7.22/183.4	1.57/39.9	6.4/162.6	14.2/6.5	838/1,137	5,589/7,578
MXT-10	1-1/2"	9.51/241.6	14.38/365.3	2.26/57.4	3.95/100.3	5.62/142.8	7.32/185.9	8.80/223.5	1.96/49.8	7.97/202.4	24.8/11.3	1,728/2,343	11,519/15,617
MXT-15	2-1/2"	10.55/268.1	15.29/388.3	2.51/63.6	4.38/111.1	7.0/177.8	8.06/204.7	9.67/245.6	2.18/55.4	8.63/219.2	36/16.4	2,388/3,238	15,920/21,584
MXT-20	2-1/2"	11.41/289.8	17.27/438.7	2.71/68.8	4.73/120.1	7.1/180.3	8.87/223.0	10.24/260.1	2.36/59.9	9.58/243.3	43.4/19.7	2,964/4,018	19,757/26,787
MXT-35	2-1/2"	14.03/356.3	21.23/539.2	3.33/84.6	5.82/147.8	8.32/211.3	10.79/247.1	12.36/313.9	2.90/73.7	11.74/298.2	77.45/35.2	5,564/7,544	37,095/50,293