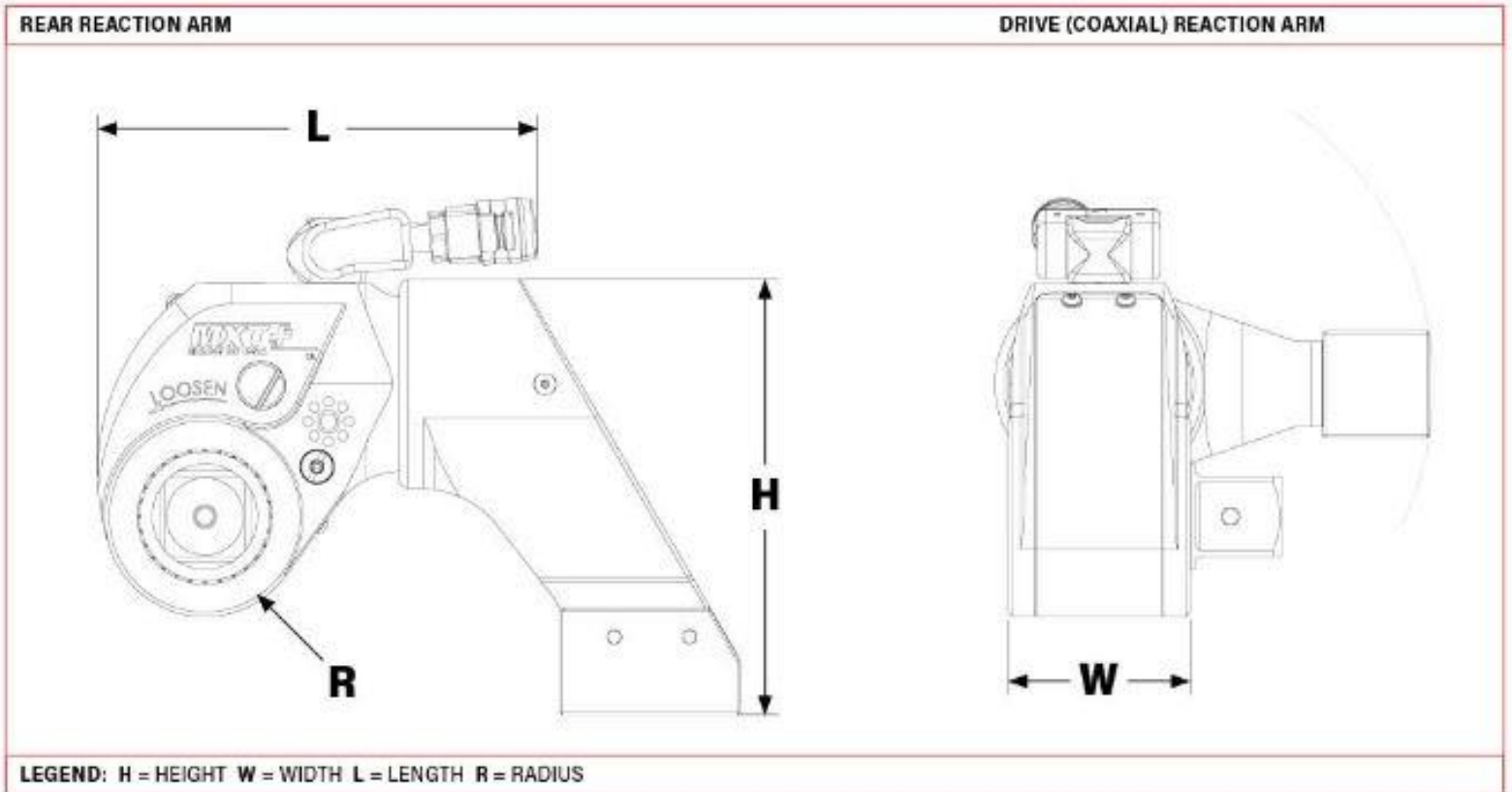


HYTORC®

MXT+ Dimensions



MODEL NUMBER	H	W	L	R	DRIVE	WEIGHT	TORQUE	
IMPERIAL	in.					lbs.	ft-lbs (Min)	ft-lbs (Max)
MXTP - 01	6.38	2.18	5.17	2.60	3/4	6.80	205	1,359
MXTP - 03	6.90	2.90	6.66	1.50	1	7.59	464	3,117
MXTP - 05	9.24	3.38	8.04	1.86	1-1/2	18.50	812	5,422
MXTP - 10	11.69	4.35	10.05	2.38	1-1/2	25.00	1,831	12,148
METRIC	mm				in.	kg	Nm (Min)	Nm (Max)
MXTP - 01	162	55	131	30	3/4	3,08	278	1843
MXTP - 03	175	74	169	38	1	3,44	629	4225
MXTP - 05	235	86	204	47	1-1/2	8,39	1101	7350
MXTP - 10	297	110	255	60	1-1/2	11,33	2482	16468