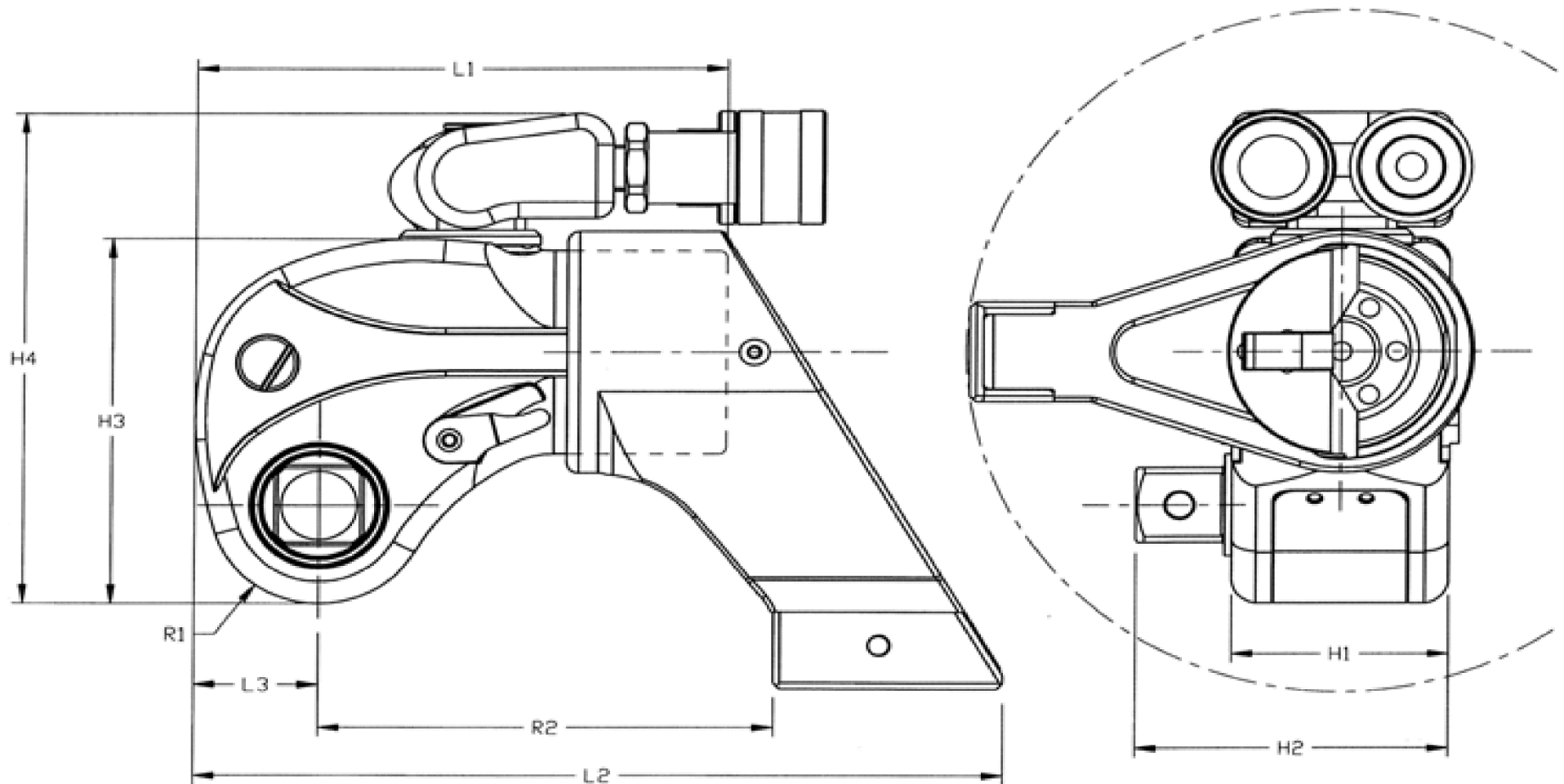


MXT DIMENSIONAL DATA



IMPERIAL

MODEL	L1	L2	L3	H1	H2	H3	H4	R1	R2	WT. (lbs.)
MXT-.7	3.96	5.98	0.93	1.62	2.53	3	4.25	0.81	3.32	2.7
MXT-1	4.88	7.33	1.13	1.97	2.85	3.66	4.9	0.98	4.12	3.95
MXT-3	6.34	9.6	1.51	2.63	3.81	4.88	6.12	1.31	5.32	8.3
MXT-5	7.61	11.52	1.81	3.16	4.92	5.85	7.22	1.57	6.4	14.2
MXT-10	9.51	14.38	2.26	3.95	5.62	7.32	8.8	1.96	7.97	24.8
MXT-15	10.55	15.29	2.51	4.38	7	8.06	9.67	2.18	8.63	36
MXT-20	11.41	17.27	2.71	4.73	7.1	8.78	10.24	2.36	9.58	43.4
MXT-35	14.03	21.23	3.33	5.82	8.32	10.79	12.36	2.9	11.74	77.45

METRIC

MODEL	L1 (MM)	L2 (MM)	L3 (MM)	H1 (MM)	H2 (MM)	H3 (MM)	H4 (MM)	R1 (MM)	R2 (MM)	WT. (KG)
MXT-.7	100.6	151.9	23.6	41.2	64.3	76.2	108	20.6	84.3	1.2
MXT-1	123.9	186.2	28.7	50	72.4	93	124.5	25	104.7	1.8
MXT-3	161	243.8	38.4	66.8	96.8	124	155.5	33.3	135.1	3.8
MXT-5	193.3	292.6	46	80.3	125	148.6	183.4	39.9	162.6	6.5
MXT-10	241.6	365.3	57.4	100.3	142.8	185.9	223.5	49.8	202.4	11.3
MXT-15	268.1	388.3	63.6	111.1	177.8	204.7	245.6	55.4	219.2	16.4
MXT-20	289.8	438.7	68.8	120.1	180.3	223	260.1	59.9	243.3	19.7
MXT-35	356.3	539.2	84.6	147.8	211.3	274.1	313.9	73.7	298.2	35.2

Dimensional Data Imperial

MODEL	MXT-.7	MXT-1	MXT-3	MXT-5	MXT-10	MXT-15	MXT-20	MXT-35
Square Drive	¾"	¾"	1"	1-½"	1-½"	2-½"	2-½"	2-½"
Min. Torque	123	201	484	838	1,728	2,388	2,964	5,564
Max. Torque	822	1,340	3,230	5,589	11,519	15,920	19,757	37,095
Accuracy	± 3%	± 3%	± 3%	± 3%	± 3%	± 3%	± 3%	± 3%
Swivel 360° x 180°	STANDARD							
Uni-Body Housing	TITAL399							
Reaction Arm	TITAL300, Vertical, 360°, Tension absorbing							

Dimensional Data Metric

MODEL	MXT-.7	MXT-1	MXT-3	MXT-5	MXT-10	MXT-15	MXT-20	MXT-35
Square Drive	¾"	¾"	1"	1-½"	1-½"	2-½"	2-½"	2-½"
Min. Torque (Nm)	167	273	657	1,137	2,343	3,238	4,018	7,544
Max. Torque (Nm)	1,114	1,817	4,379	7,578	15,617	21,584	26,787	50,293
Accuracy	± 3%	± 3%	± 3%	± 3%	± 3%	± 3%	± 3%	± 3%
Swivel 360° x 180°	STANDARD							
Uni-Body Housing	TITAL399							
Reaction Arm	TITAL300, Vertical, 360°, Tension absorbing							